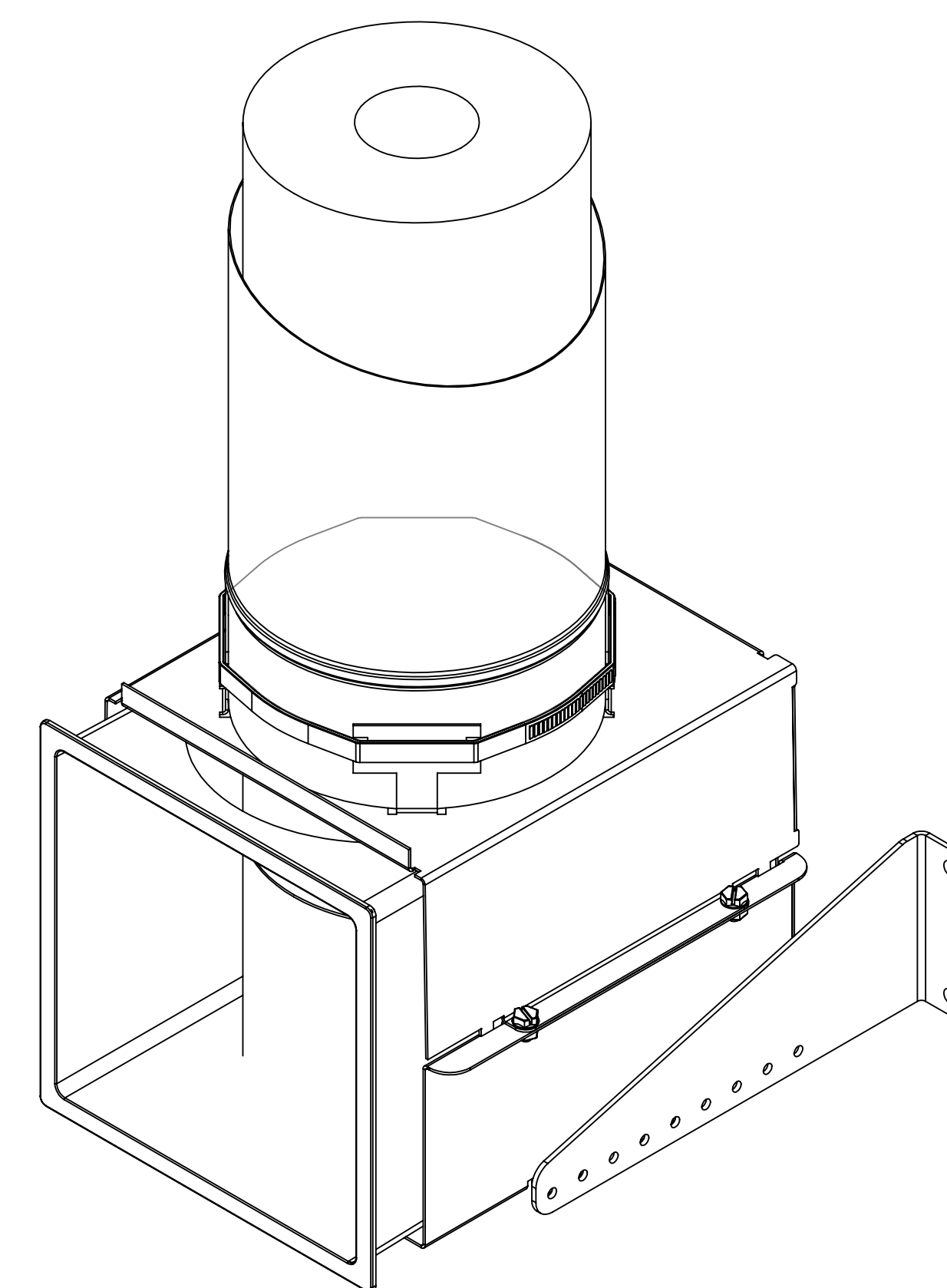
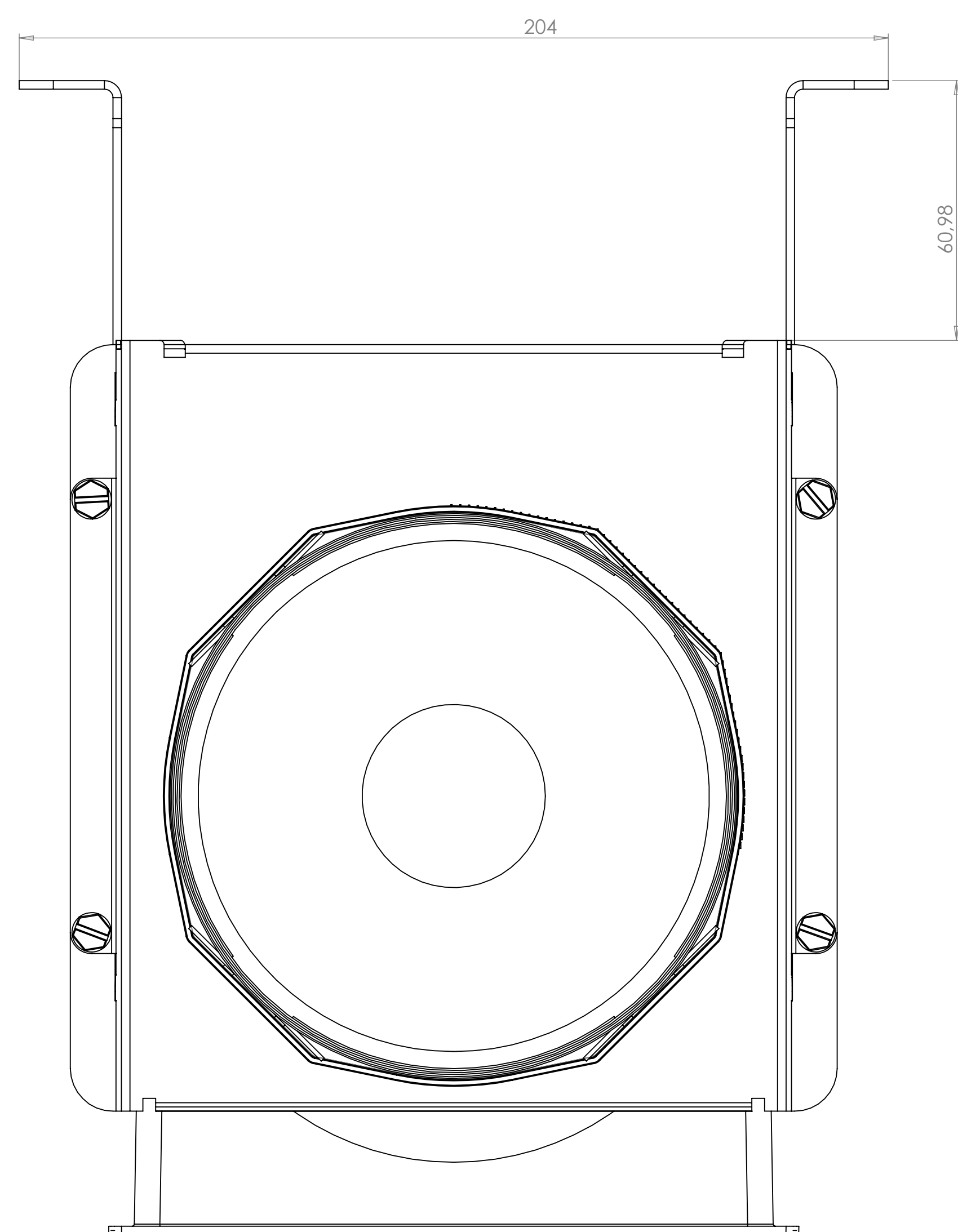


SECTION A-A



UNITS (OTHERWISE SPECIFIED)		INCH	DESK AND	DO NOT SCALE DRAWING	REVISION
DIMENSIONS ARE IN MILLIMETERS			BECAUSE SHARP		
DIMENSIONS			EDGES		
UNLESS OTHERWISE SPECIFIED					
NAME	SIGNATURE	DATE			FILE
DRW					
CHK					
APP'D					
MFG					
QA					
MATERIAL			DRG NO.	inbouwset A0	
WEIGHT			SCALE: 1:1	SHEET 1 OF 1	